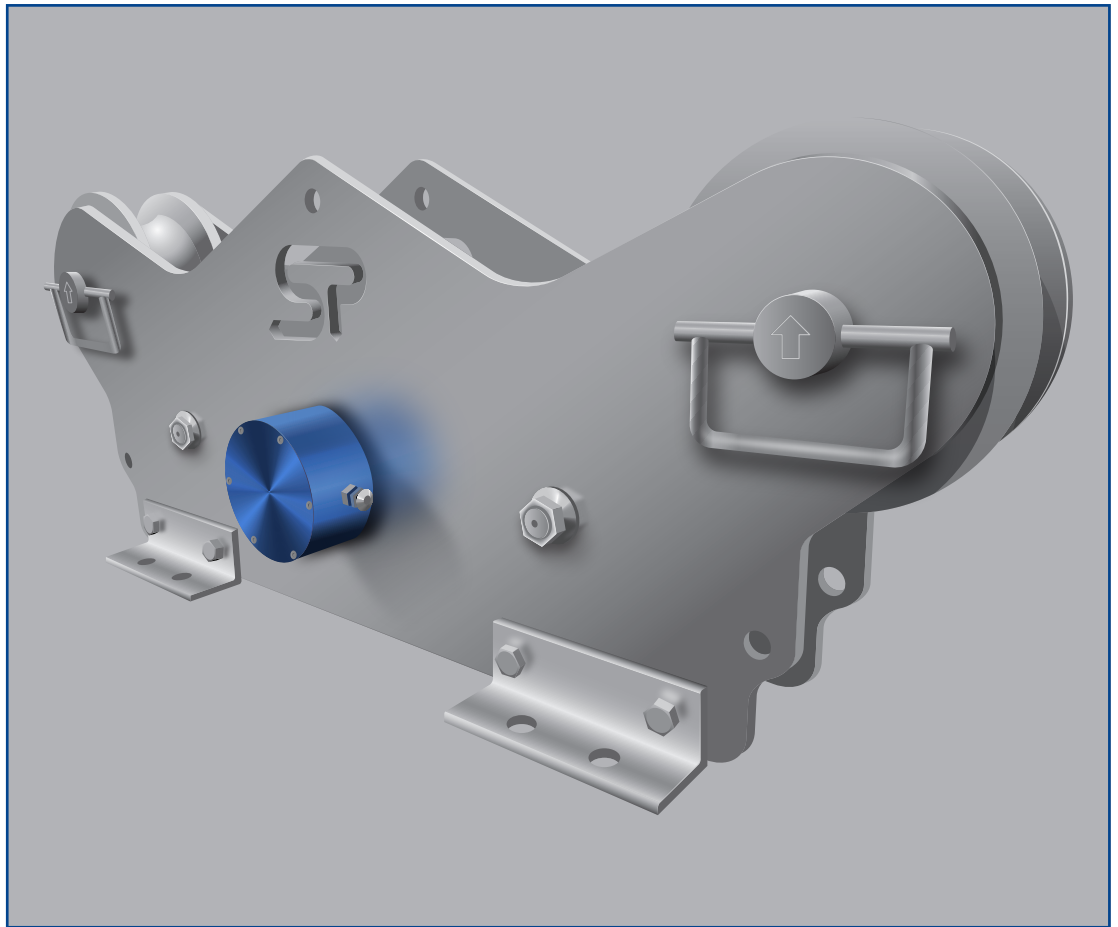




# TIMH – tension in motion



The TIMH range is built with dockside, marine, offshore, towage and salvage applications in mind. It is particularly useful where there is no anchor or dead end on the line to rig a Straightpoint Radiolink or Loadlink digital dynamometer to measure tension force.

The TIMH is constructed from marine grade stainless steel and is suitable for many wire rope configurations up to 80t and does, as an option, calculate lineout in metres or feet, along with line speed.

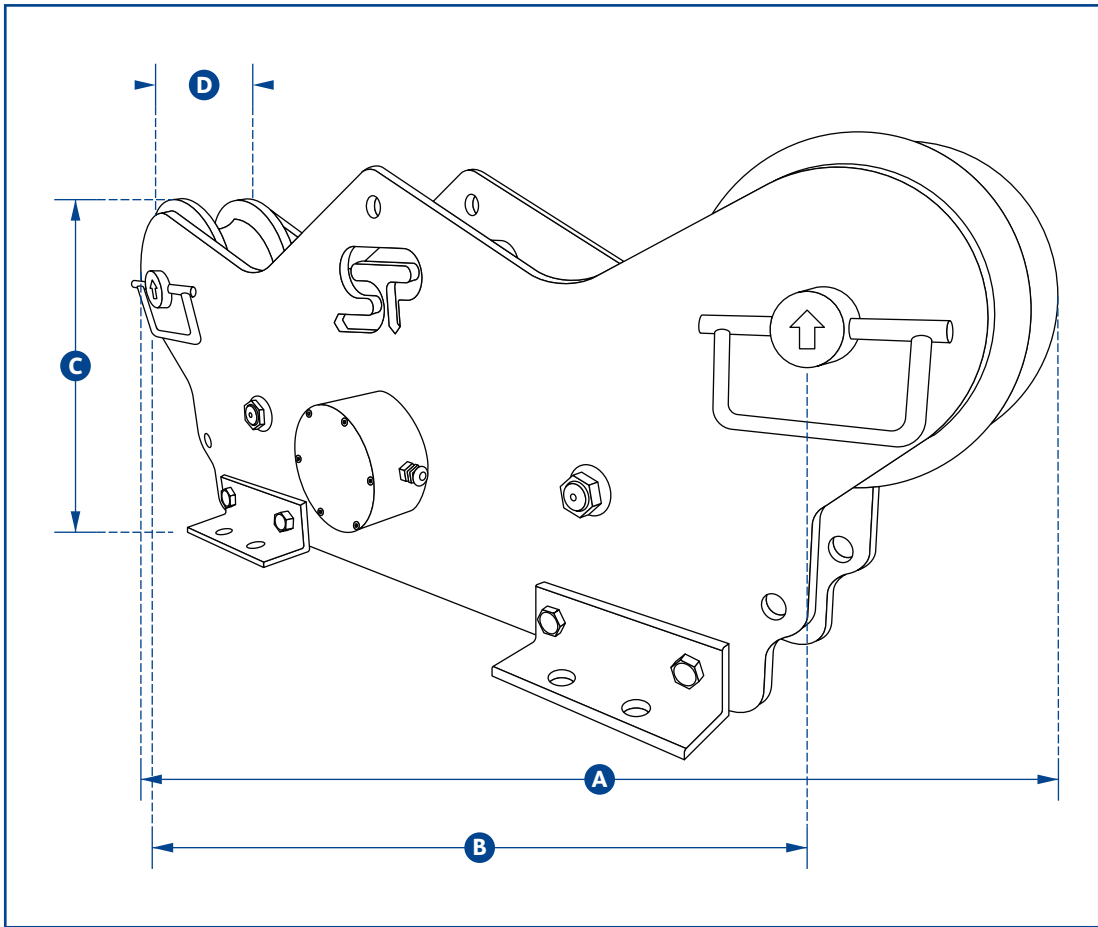
The TIMH has several mounting points featured in its unique design, however, if other mounting options are required Straightpoint can provide a custom-engineered solution specific to your application.

Available as a wireless or cabled system utilising our HHP range of handheld displays or SW-MWLC software, this impressive Running Line Dynamometer is available from stock, to anywhere in the world, within days.

## Features and benefits:

- Five-wheel design improving accuracy
- Cabled or wireless options
- Fully constructed from corrosion resistant stainless steel
- IP67/NEMA6 Load Pin
- Gravity catches fitted to top sheave pins, which make wire rope installation quick and simple
- Industry-leading battery life
- Maintenance-free heavy duty bearings
- Large range of capacities from 10t to 80t and wire rope diameters up to 52mm / 2"
- Options for line out and line speed available
- Software to data log and monitor or analogue outputs available as an option

## global specifications



Global Specifications Part Number	TIMH10T	TIMH25T	TIMH56T	TIMH80T
Capacity	10te/22,000lbs	25te/55,000lbs	56te/123,200lbs	80te/176,000lbs
Resolution	0.01te/20lbs	0.02te/50lbs	0.05te/100lbs	0.1te/200lbs
Wire Rope Ø mm	13-19mm	16-26mm	29-38mm	45-52mm
Wire Rope Ø inch	1/2" - 3/4"	5/8" - 1"	1 1/8" - 1 1/2"	1 5/8" - 2"
Weight	95kgs/209lbs			
Battery Type	Wireless version 4 x AA alkaline batteries			
Battery Life	Wireless version 1200hrs			
Operating Temp	-10°C to +50°C/14°F to 122°F			
Accuracy	2% F.S.			
Range	Wireless version 500m/1600ft line of sight			
Protection	IP67/NEMA6			
Dimension A	880mm/34.6"			
Dimension B	700mm/27.6"			
Dimension C	330mm/13.0"			
Dimension D	110mm/4.3"			

Part Numbers				
Cabled, tension only	TIMH10T	TIMH25T	TIMH56T	TIMH80T
Wireless, tension only	TIMH10TR	TIMH25TR	TIMH56TR	TIMH80TR
Wireless, tension and line out	TIMH10TRD	TIMH25TRD	TIMH56TRD	TIMH80TRD

# TIMH – tension in motion